



SMITH
FLOW CONTROL LTD

SFC KEY INTERLOCKS & PROCESS MANAGEMENT SYSTEMS



EASIDRIVE – PORTABLE VALVE ACTUATOR SYSTEM

Typical handwheel operated gate valve, pneumatically driven using a universal, 'bolt-on' handwheel drive plate and reaction device.



Typical gear-operated valve, pneumatically driven using a universal 'bolt-on' handwheel drive plate and bespoke (custom made) reaction device.



EASIDRIVE

- Low cost alternative to permanent dedicated actuators.
- No requirement for a permanent power supply.
- Ideal for minimum facilities installations.
- Suitable for all climatic conditions.
- Wide band torque capability with variable torque adjustment as standard.
- Ideal for moving tight or partially-seized valves.
- Adaptable to any size/type of valve.
- Eliminates operator fatigue and greatly reduces the risk of injury.
- Reduces work crew tasks to one-man operation.
- Fully portable - can manage banks of valves with a single drive tool.

Three simple steps to EasiDrive installation and use:

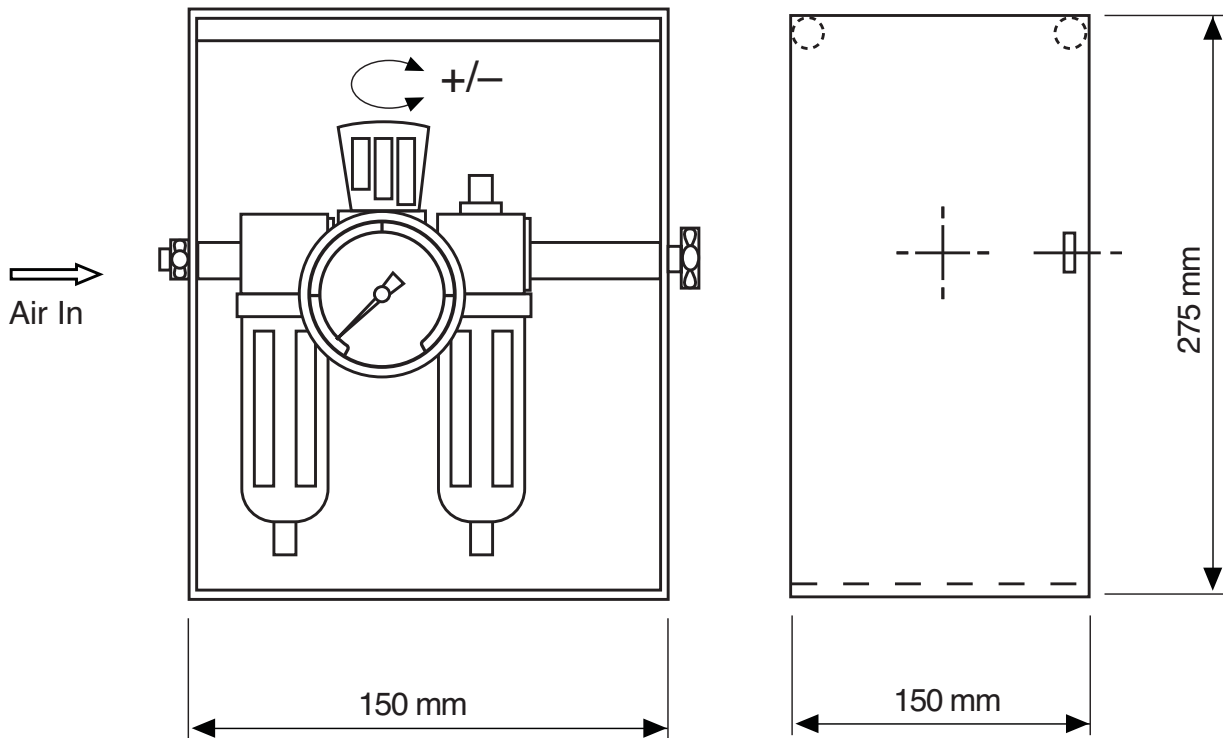
- 1 Decide if you want to retain the option of manual valve operation via the handwheel.
- 2 Install the relevant EasiDrive equipment.
- 3 Connect drive gun to power supply (pneumatic, electric or hydraulic).

STANDARD EQUIPMENT & BASIC SPECIFICATIONS

- Pneumatic, electric and hydraulic 'drive guns' available.
- 'Local' pistol grip type tools available.
- Barrel type tools.
- Customised valve drive adaptors.
- Standard hose length supplied: 3 meters.
- Air supply recommendations: 840 l/m (30cfm) @ 5.5 bar (80psi).
- Guns available with a range of torque.
- Outputs: 100 Nm (74 lbf ft) to 100,000 Nm (73, 700 lbf ft).
- Torque safety cut out facility.
- Continuous run and 'dead mans handle' options.
- Calibration certificates supplied as standard.

TECHNICAL DATA REQUIRED FILTER, REGULATOR & LUBRO (FRL) PACK

MAIN DIMENSIONS



Unit Weight (oil filled) - 4.5 Kg

SFC EASIDRIVE AIR SUPPLY RECOMMENDATIONS

650 l/m (litres per minute) = 23 cfm (cubic feet per minute)
at a constant supply pressure of 5.5 bar = 80 psi
(pounds per square inch).

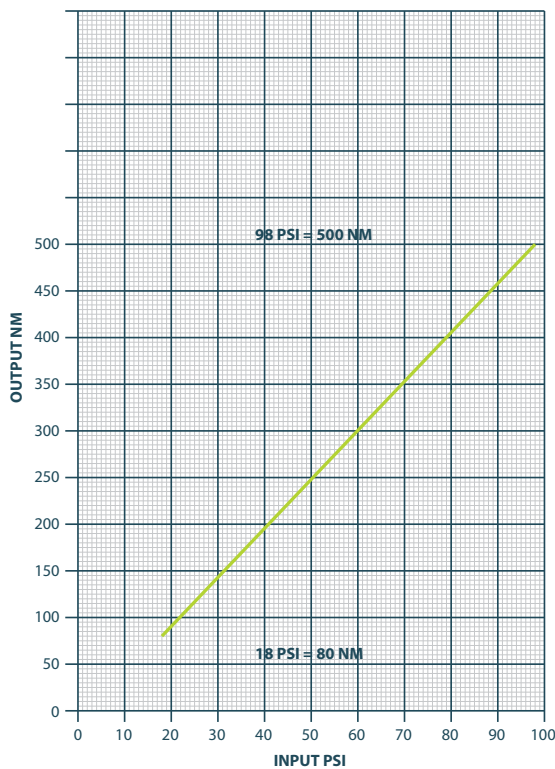
(Failure to meet these recommendations will result in the air
'gun' not working to maximum efficiency).

Recommended air supply hose to the FRL pack is 1/2" bore.
Again failure to meet this recommendation will result in the
air 'gun' not working to maximum efficiency.

PORTABLE VALVE ACTUATORS

PNEUMATIC TOOL

EasiDrive is an efficient and cost effective alternative to a dedicated valve actuator. Wherever you have manually operated valves that have high operating torques, hundreds of handwheel turns to open/close or are just difficult to operate then EasiDrive is your solution.



Calibrated against test transducer serial number:

Transducer traceability Norbar Torque Tools. NAMAS Accreditation 0256 where applicable

Recommended Recalibration date

OPTIONS

Smith Flow Control can also supply an electrical version of the EasiDrive with features including:

- Pistol grip.
- Range of voltages.
- Customised valve drive adaptors.
- Switchable maximum torque level feature.
- Current maximum torque.
- Output feature buttons to adjust torque.
- CE and EMC certified.
- Calibration certificate.

Also available is a range of hydraulic EasiDrive operators, features include:

- Powerful continuous rotation.
- Air and electric powered hydraulic pumps available.
- Can be used subsea via umbilicals and ROVs.
- Customised valve drive adaptors.
- Calibration certificate.

Typical gate valve, pneumatically driven using an 'offset gearbox' and reaction device.



PRODUCT FEATURES

Each drive tool has a unique serial number and is supplied with its corresponding certificate of calibration.

By adjusting the air pressure you can easily restrict the torque output of the drive tool for your precise requirements. (As shown on page 28.)